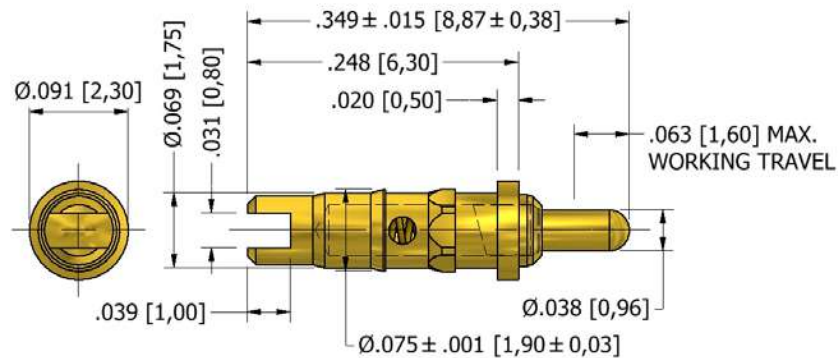


**410-8016 Spring Loaded Contact
Solder Mount Press Fit - .071 (1,80) Mounting Hole**

How to order code
410-8016-01-03-00

Materials:-

Sleeve, Plunger: Copper Alloy

Spring: Stainless Steel 302

Plunger finish: .00003 (0.75um) Gold over Nickel

Sleeve: .00001 (0.25um) Gold over Nickel

Spring finish: .00001 (0.25um) Gold over Nickel

Durability: 50,000 cycles

Rated Current (Free Air): 3A continuous @ 10° DT

Contact Resistance: 30m Ω Max.

RoHS Compliant